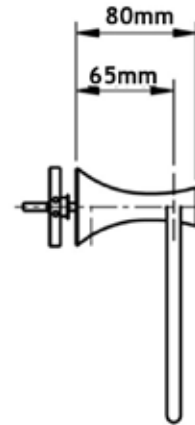
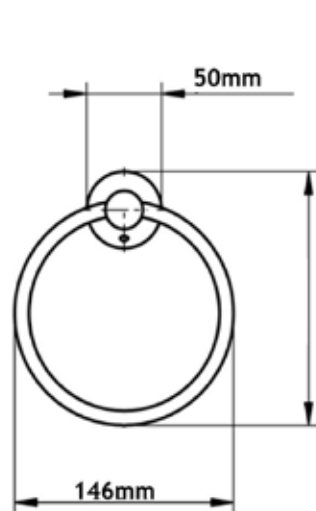


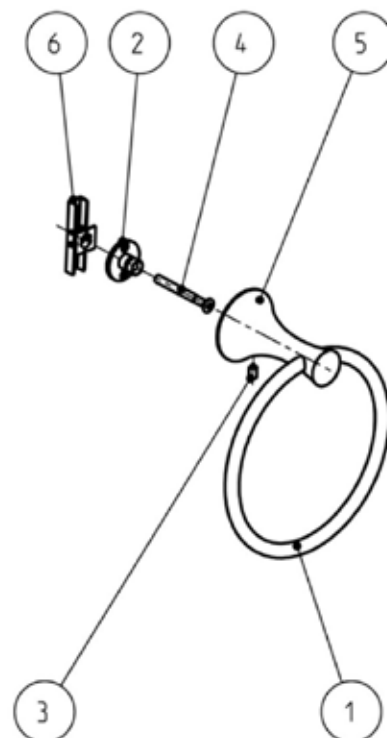
# TECHNICAL DRAWING

## *BROOKHAVEN Towel Ring*

Code: 12490MW.W



1	Towel Ring	2
2	Wall Anchor	1
3	Set Screw	1
4	Toggler Bolt	1
5	Post	1
6	Toggler Anchor	1



**CIFIAL** 

**CIFIAL UK LTD**  
7 Faraday Court, Park Farm Ind Est  
Wellingborough, Northants NN8 6XY  
Tel: 01933 402008 Fax: 01933 402063  
Email: sales@cifial.co.uk  
Website: www.cifial.co.uk