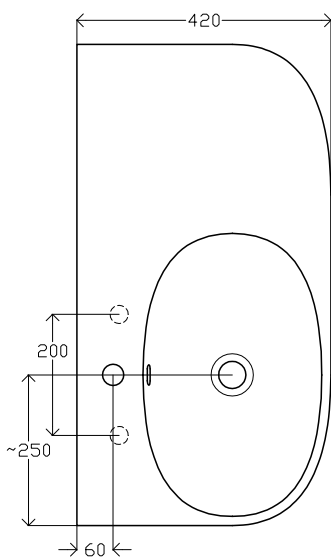
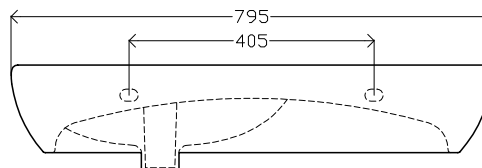
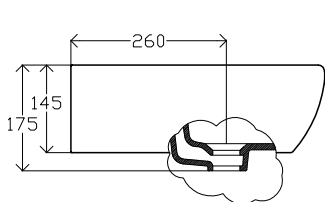


# A1

## Left hand basin 800mm



# A1

## Right hand basin 800mm

