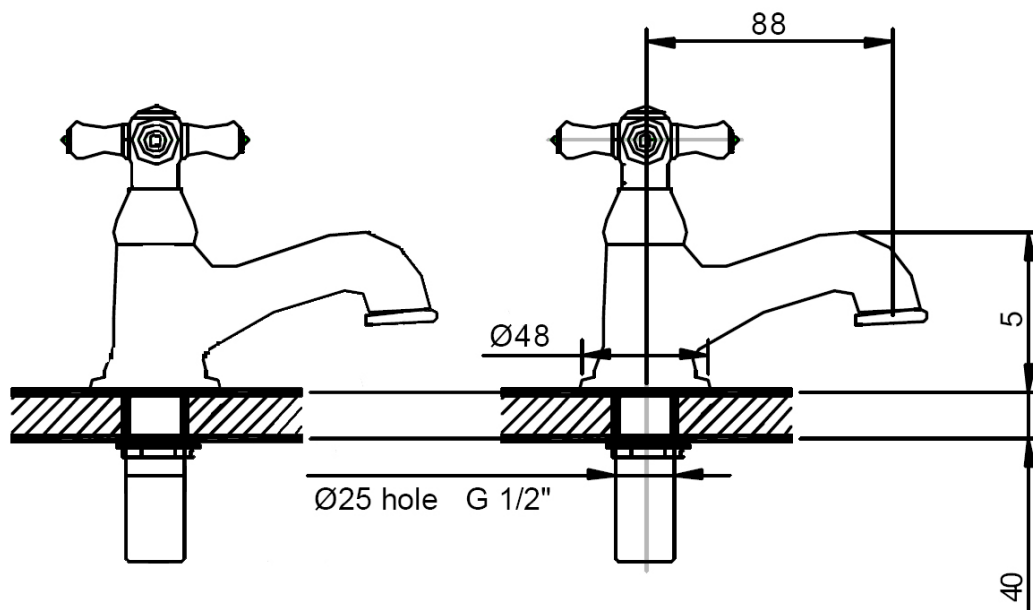


# TECHNICAL DRAWING

## *Edwardian Pair Basin Pillar Taps*

Code: 32295ED

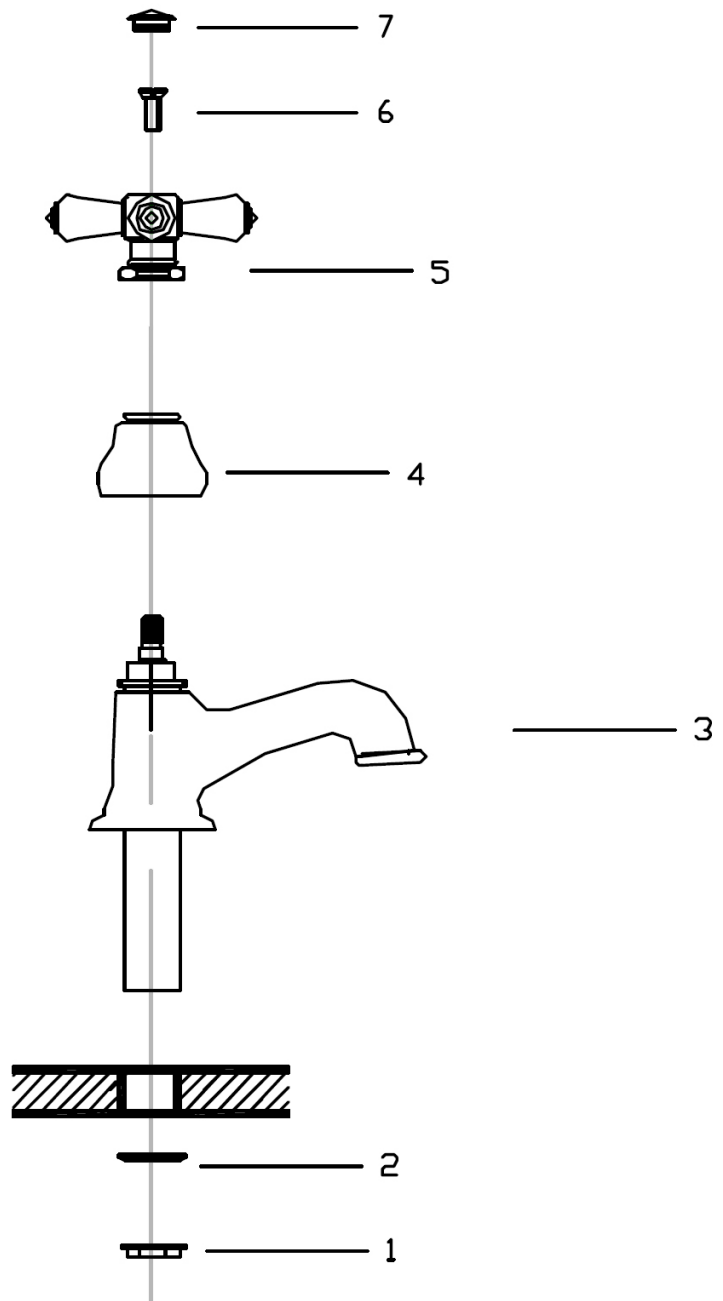


**CIFIAL UK LTD**  
7 Faraday Court, Park Farm Ind Est  
Wellingborough, Northants NN8 6XY  
Tel: 01933 402008 Fax: 01933 402063  
Email: sales@cifial.co.uk  
Website: www.cifial.co.uk

**CIFIAL**



CIFIAL



Part No	Description	Qty
1	<i>backnut</i>	2
2	<i>washer</i>	2
3	<i>tap body</i>	2
4	<i>bell</i>	2
5	<i>cross handle</i>	2
6	<i>screw</i>	2
7	<i>cap</i>	2