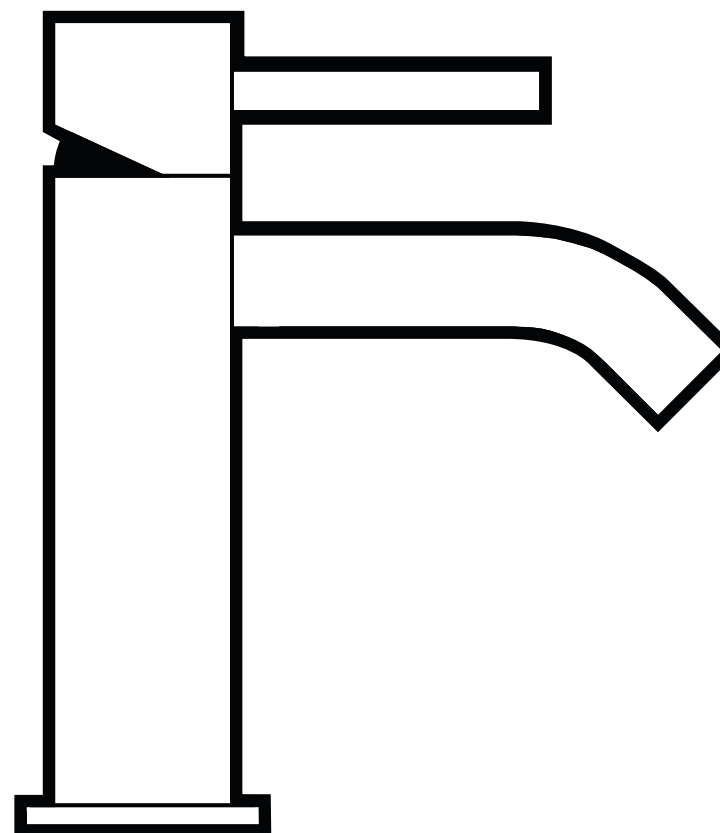


MINI SQUARE

instructions

32400QD-xxx.U

Monobloc basin mixer



COMPLETE
BATH
SOLUTIONS

CIFIAL – Torneiras, S.A.
Apartado 413
4524-907 Riomeão
PORTUGAL
40° 57' 29.20" N
8° 35' 11.40" W
Tel: +351 256 780 100
Fax: +351 256 783 395
comercial.torneiras@cifial.pt
www.cifial.pt

CIFIALdecor, S.A.
Avda. del Petróleo, 44
(Pol. Ind. San José de
Valderas)
28918 Leganes, Madrid
ESPAÑA
Tel: +34 916 110 261
Fax: +34 916 103 694
cifial@cifial.es

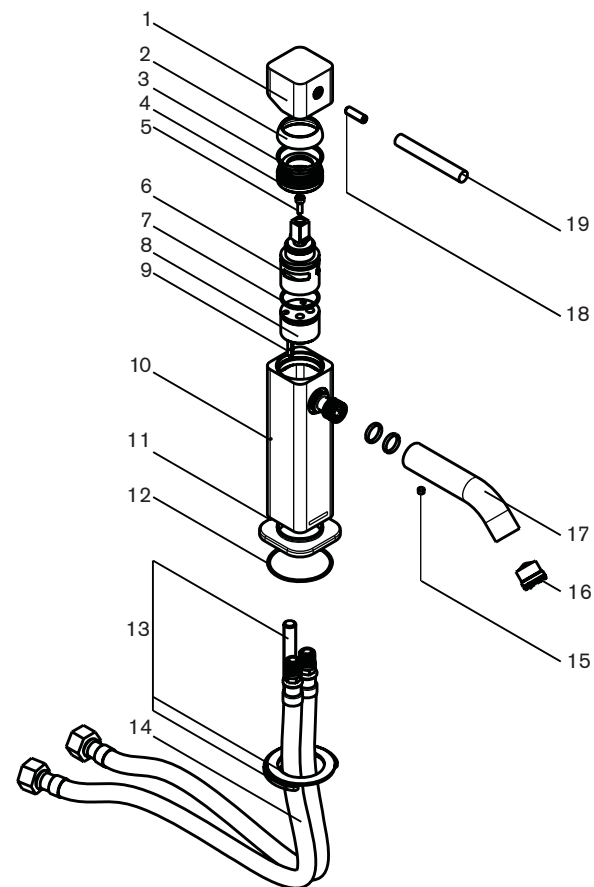
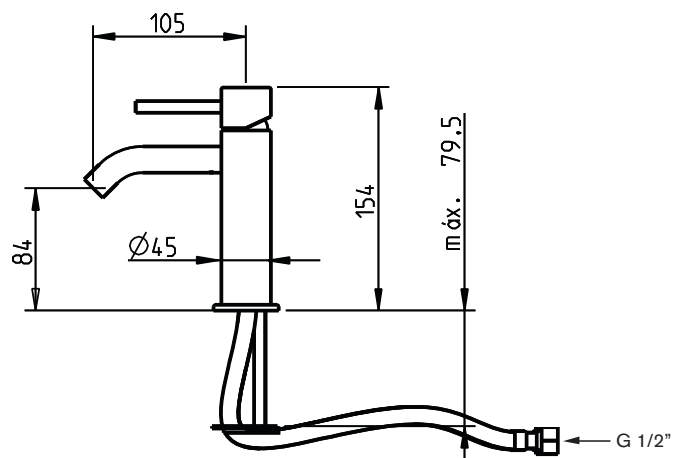
CIFIAL UK, Ltd.
7 Faraday Court, Park Farm
Industrial Estate, Wellingbor-
ough, Northants NN8 6XY
UK
Phone: +441 933 402 008
Fax: +441 933 402 063
sales@cifial.co.uk
www.cifial.co.uk

CIFIAL USA
2935 Amwiler Road
Atlanta, GA 30360-6001
USA
Tel: +1 800 528 4904
Fax: +1 800 528 1969
info@cifialusa.com
www.cifialusa.com

CIFIAL Polska sp. z o.o.
ul. Macieja Rataja 12
05-070 Sulejów
Warsaw
POLAND
Tel: +48 22 7831699
Fax: +48 22 783 15 09
cifial@cifial.pl
www.cifial.pl

5663954 / 9830D000U02

GUARANTEE
We recommend that you keep the invoice throughout the guarantee period.



ref.

1	3411071-xxx	lever
2	3400246-xxx	domed collar
3	5610260-200	o-ring
4	5712158	nut
5	5020274	screw
6	5711035	ceramic cartridge
7	5310220-150	o-ring
8	3300570	valve housing
9	5745030i014	spring-type straight pin slotted
10	3320123-xxx	spout assembly
11	3447124-xxx	spout base
12	5310380-150	o-ring
13	5710241	fixing set
14	5700022	flexible hose (x2)
15	50030M40040	set screw (x2)
16	5713010	aerator
17	330090-xxx	spout
18	5020240	grub screw
19	340087-xxx	lever handle extension

5663954 / 9830D000U02

dimensions m/m

note: xxx stands for different finishes

installer: please leave all leaflets with the building owner to file for future reference