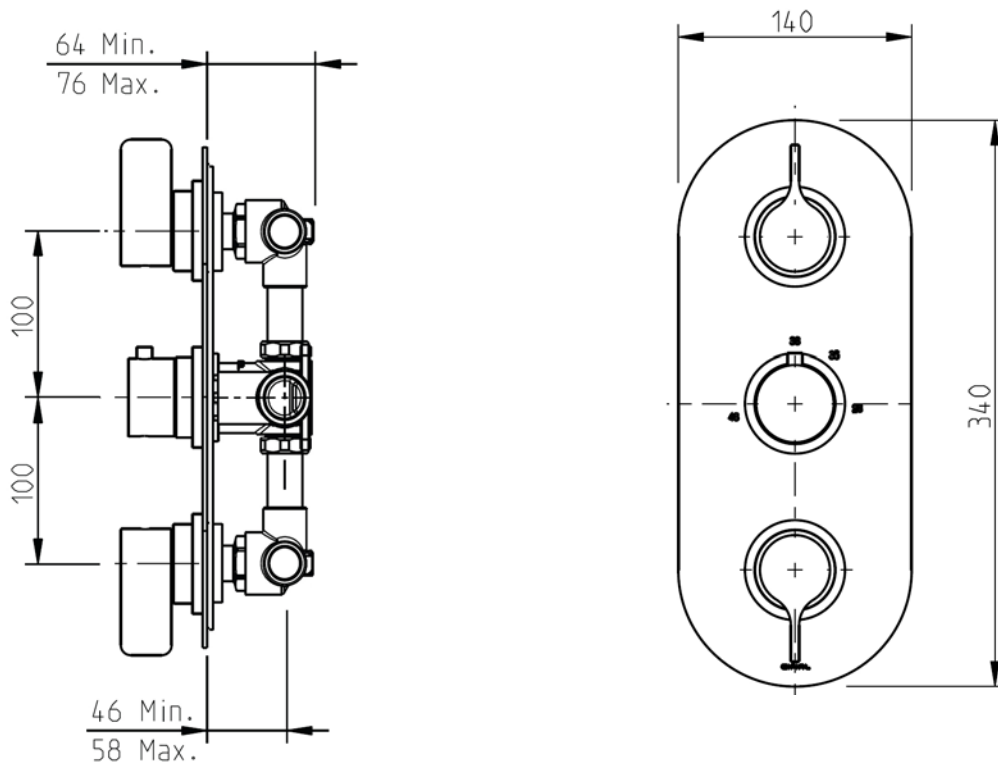


TH251

3 control thermostatic valve with double diverter (4 outlets)



3580018

Válvula Termostática Embutida 3 Furos - 4 Vias
 Concealed Thermostatic Valve 3 Holes - 4 Outlets
 Vendido Separadamente / Sold Separately

Corpo da válvula
 Valve body
 vendido separadamente
 sold separately
 3580018

Cartucho termostático
 Thermostatic cartridge
 5711607
 (**)

Protecção
 Protection
 (**)

Parafuso
 Screw
 (**)

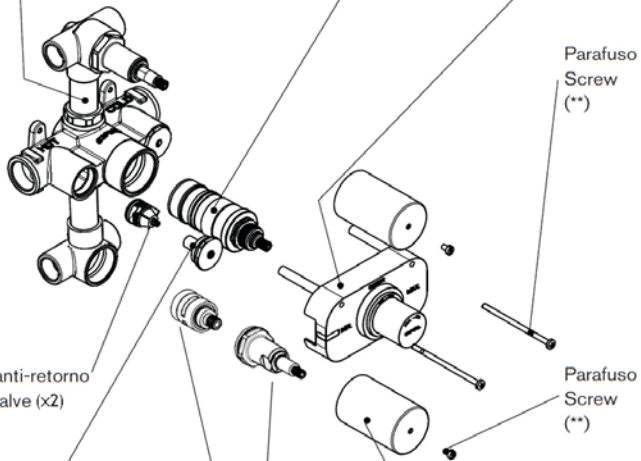
Válvula anti-retorno
 Check valve (x2)
 (**)

Parafuso
 Screw
 (**)

Taco (x2)
 End cap & isolating valve
 (**)

Diverter cartridge
 and housing (x2)
 ART.PT.21
 (**)

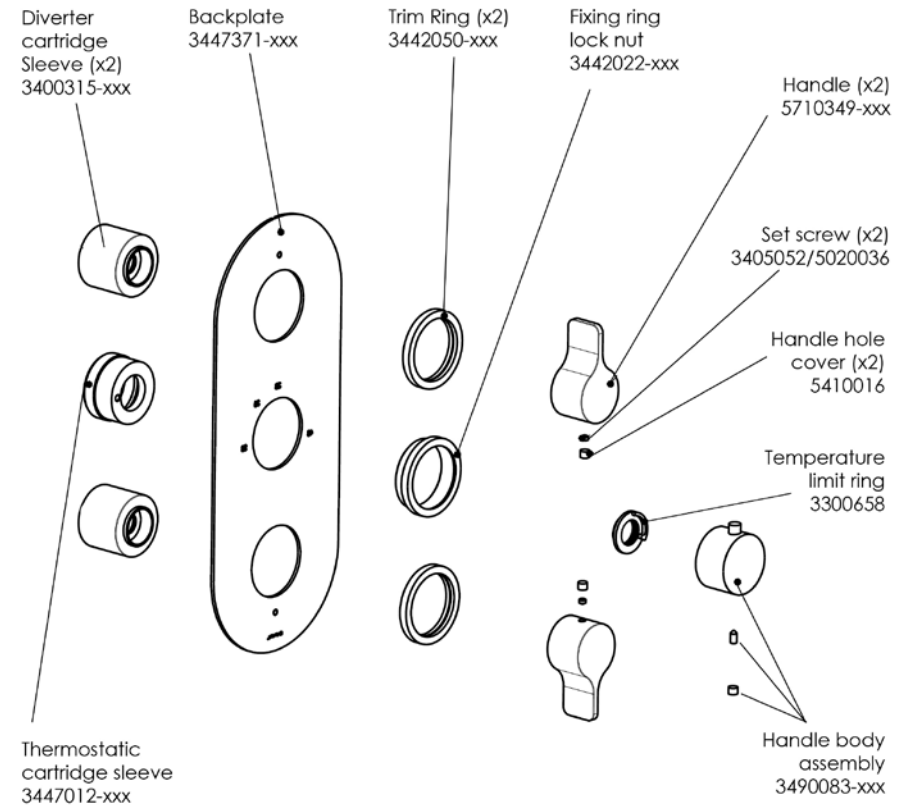
Copo de protecção
 Protection cap
 (**)



NOTES:

- 1) The red dot on the temperature limit ring must be aligned with the number 38 on the backplate
- 2) valve rough 3580018 pre-assembled at the factory

Installer: Please leave all leaflets with the building owner to file for future reference



NOTE:

xxx represents different finishes



Operation

Requires high pressure (minimum 1.5 bar)

Top Control = on/off and diverter combined
 Lever upright = off
 Lever anti clockwise = mixed water out of left outlet (low flow) D
 Lever clockwise = mixed water out of right outlet (high flow) V
NB: You cannot use both top outlets at same time

Middle Control = thermostat with temperature override

Bottom Control = on/off and diverter combined
 Lever upright = off
 Lever anti clockwise = mixed water out of right outlet (low flow) D
 Lever clockwise = mixed water out of left outlet (high flow) V
NB: You cannot use both bottom outlets at same time

Prior to use - Setting the temperature

1. With both flow controls in the off position, remove the thermostatic valve handle and the temperature limit ring.
2. Put back on the thermostatic valve handle and turn clockwise until the cartridge "clicks". This is now set at fully cold.
3. Turn on one of the flow controls and turn the thermostatic valve handle anti-clockwise until the desired temperature is reached, ie 38°C. Use a thermometer to check if the temperature is correct (Fig. A)
4. Turn off the flow control, remove the thermostatic valve handle and replace the temperature limit ring with the red dot in the 12 o'clock position, ie corresponding with the 38°C on the etched plate (Fig. B).
5. Replace the thermostatic valve handle with the temperature override button position just prior to the 38°C (Fig. C)
6. Your thermostatic valve is now ready for use.

Fig. A



Fig. B

Red mark aligned with the mark 38°C.

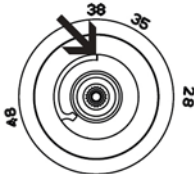
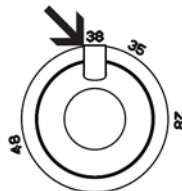


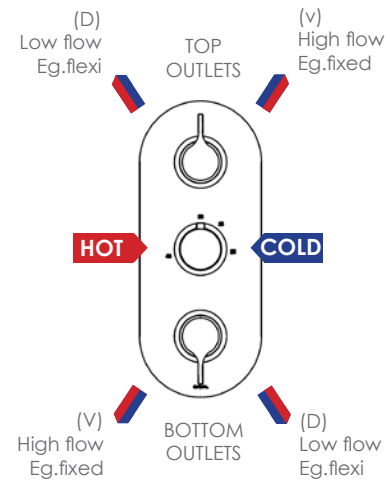
Fig. C

Temperature override button



Flow rates

TOP CONTROL FLOW RATES		
BAR	low flow outlet	high flow outlet
1.5	10.7	18.2
2	12.3	21
3	15.5	25.7



BOTTOM CONTROL FLOW RATES		
BAR	low flow outlet	high flow outlet
1.5	10.7	18.2
2	12.3	21
3	15.5	25.7

IMPORTANT: it is recommended that on a regular basis you rotate the thermostatic control handle between the maximum and minimum temperature limits by pressing the override button and with the water running. This way you prevent limestone incrustation that could build up and block the thermostatic cartridge.

